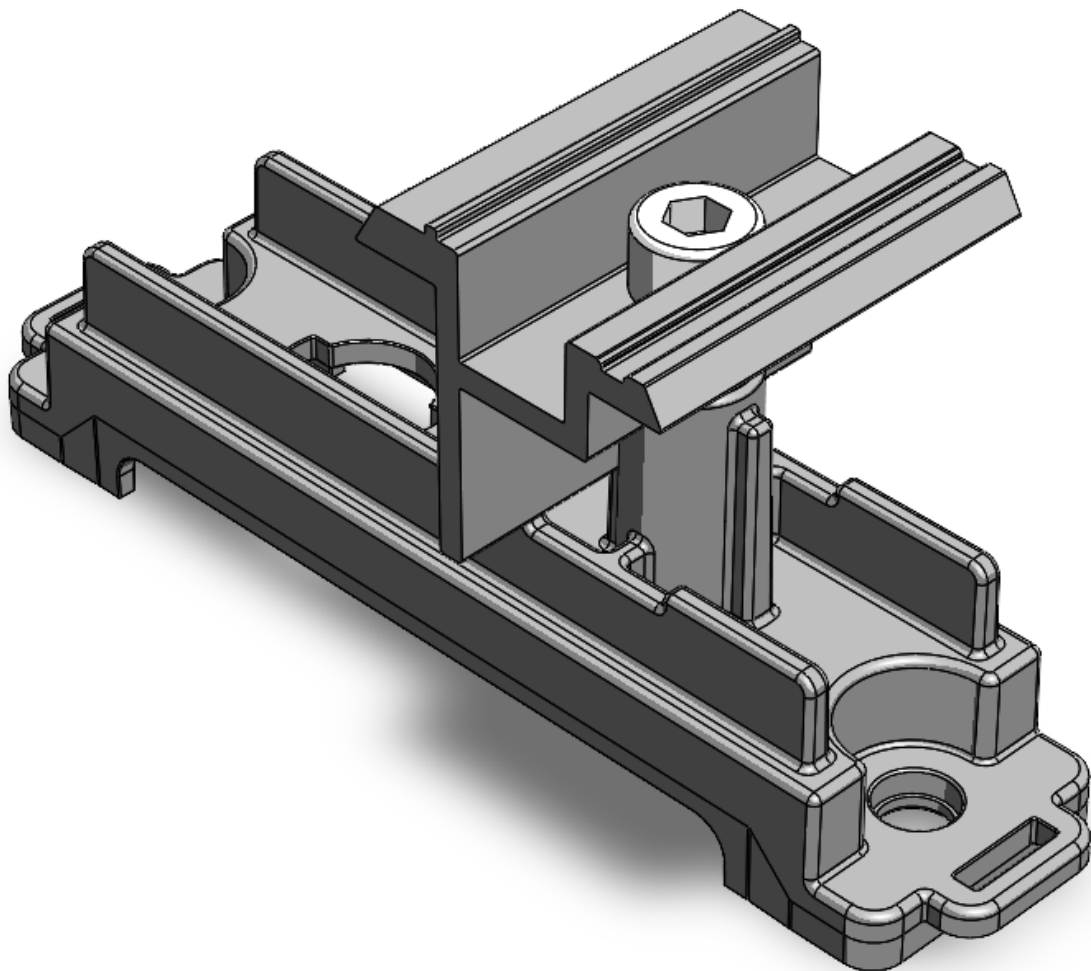


Trap/FIX

Smarter than the others

Istruzioni per il montaggio TrapFIX



1. General safety instructions

Intended use: The TrapFIX system is intended exclusively for the mounting of PV modules in landscape orientation on metal roofs made of trapezoidal sheet metal. Any other use of the TrapFIX system is not considered as intended use. Approval from the module manufacturer is always required for the use of the TrapFIX system.

Mounting instructions: The specifications in the mounting instructions for the TrapFIX system must be strictly complied with. Always use the latest version of the mounting instructions, which are available on the website (www.eco-invention.ch) or on request by email (trapfix@eco-invention.ch). A copy of the mounting instructions must always be available during mounting. The module manufacturer's mounting instructions must also be complied with.

Personnel requirements: The mounting work may only be carried out by qualified and competent persons who can ensure that the work is carried out in accordance with the applicable regulations. The specifications in the mounting instructions, the project report, the planning documents and other project specifications must be strictly complied with. Mounting must be carried out by at least two persons to ensure that rapid assistance can be provided in case of an accident.

Occupational safety: All relevant occupational health and safety regulations (e.g. accident prevention regulations, occupational health and safety regulations, standards, construction regulations, environmental protection regulations, regulations of employers' liability insurance associations etc.) must be complied with. In particular, personal protective equipment must be worn during mounting in accordance with the relevant regulations (e.g. safety helmet, safety shoes, gloves etc.) and fall protection and/or safety gear must be installed in accordance with the relevant regulations. Mounting work must not be carried out or continued in poor weather conditions, wet conditions, sub-zero temperatures or windy conditions.

Static requirements: The static requirements of the project must be checked before mounting, in particular the load-bearing capacity of the building. Weak points (e.g. roof windows, skylights, ventilation flaps etc.) must be secured in a similar way as the edge of the roof. If the roof structure is not sufficiently load-bearing, load distribution aids must be used.

Environmental protection: The local and national construction regulations, standards and provisions relating to environmental protection must be complied with.

2. Important mounting and maintenance instructions

Requirements for the trapezoidal sheet metal roof: TrapFIX may only be used for mounting of modules in landscape orientation on trapezoidal sheet metal roofs. The trapezoidal sheet metal roof must be checked for tightness, rust, delamination and other weak points or on-site problems before mounting. The trapezoidal sheet metal roof must in any case have a minimum metal strength of 0.5 mm (sheet steel) and 0.7 mm (sheet aluminium).

Requirements for thin sheet metal screws: The TrapFIX system must be attached to the trapezoidal sheet metal roof using stainless thin sheet metal screws. The minimum length of the thin sheet metal screws is 25 mm. The diameter must be 5.5 or 6 mm. The thin sheet metal screw must be fitted with a sealing washer with a diameter of 16 mm. The instructions of the screw manufacturer must also be observed. The use of EJOFAST JF3-2-5.5x25 or JF3-2-6.0x25 from EJOT or the RP-T2 thin sheet metal screw 6.0x25 from Reisser is recommended.

Use of a mounting jig: A suitable mounting jig from the supplier must be used to mount the TrapFIX system. The correct use of such a mounting jig ensures that the required distances and tolerances are maintained. Otherwise, static problems, unfavorable force effects or unstable attachments may occur.

Requirements for the PV modules: The frame height of the PV modules must be between 30 - 40 mm. The PV modules may have a maximum width of 1.34 m. The module manufacturer must have approved its PV modules for use with the TrapFIX system and its instructions must be observed. The PV modules must be capable of withstanding the wind/snow loads at the project location. The clamping zones of the PV modules must be strictly adhered to. The clamping zones must be checked manually and are not taken into consideration by the planning software.

Project planning: The TrapFIX system must be designed using the Solar.Pro.Tool software from Levasoft (<https://spt.solar/>). The design can be created by us, one of our sales partners or the customer himself. The software only takes into consideration the statics of the mounting system and not those of the building or other effects (e.g. snow guard, clamping zones etc.). **The customer must check the correctness of the system planning on site.** The information in the project report and other planning documents - in particular the minimum number of TrapFIX elements to be used - must be strictly adhered to.

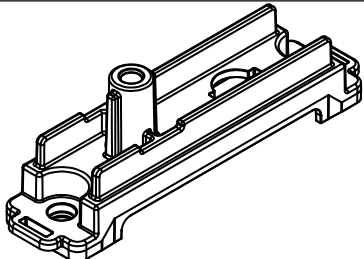
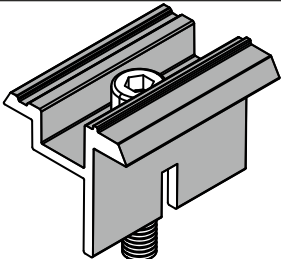
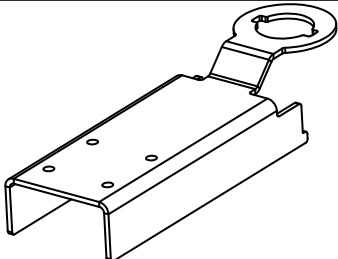
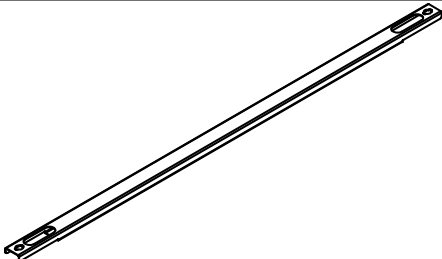
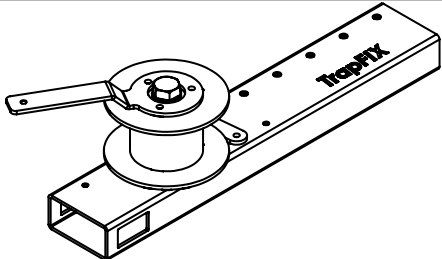
Maintenance instructions: An annual inspection of the mounting system (incl. connections) must be carried out. In particular, the mounting system must be checked for function, corrosion, strength of the connections and stability. An inspection of the system is also mandatory after every storm (e.g. storm or gale-force winds). The maintenance work must be carried out by an experienced specialist company. In particular, we recommend a visual inspection of the components and a random check of the connections and the secure and correct position of the individual elements. If the system is impaired, the affected **component must be repaired or replaced immediately. Any defects must be reported to the manufacturer immediately.**

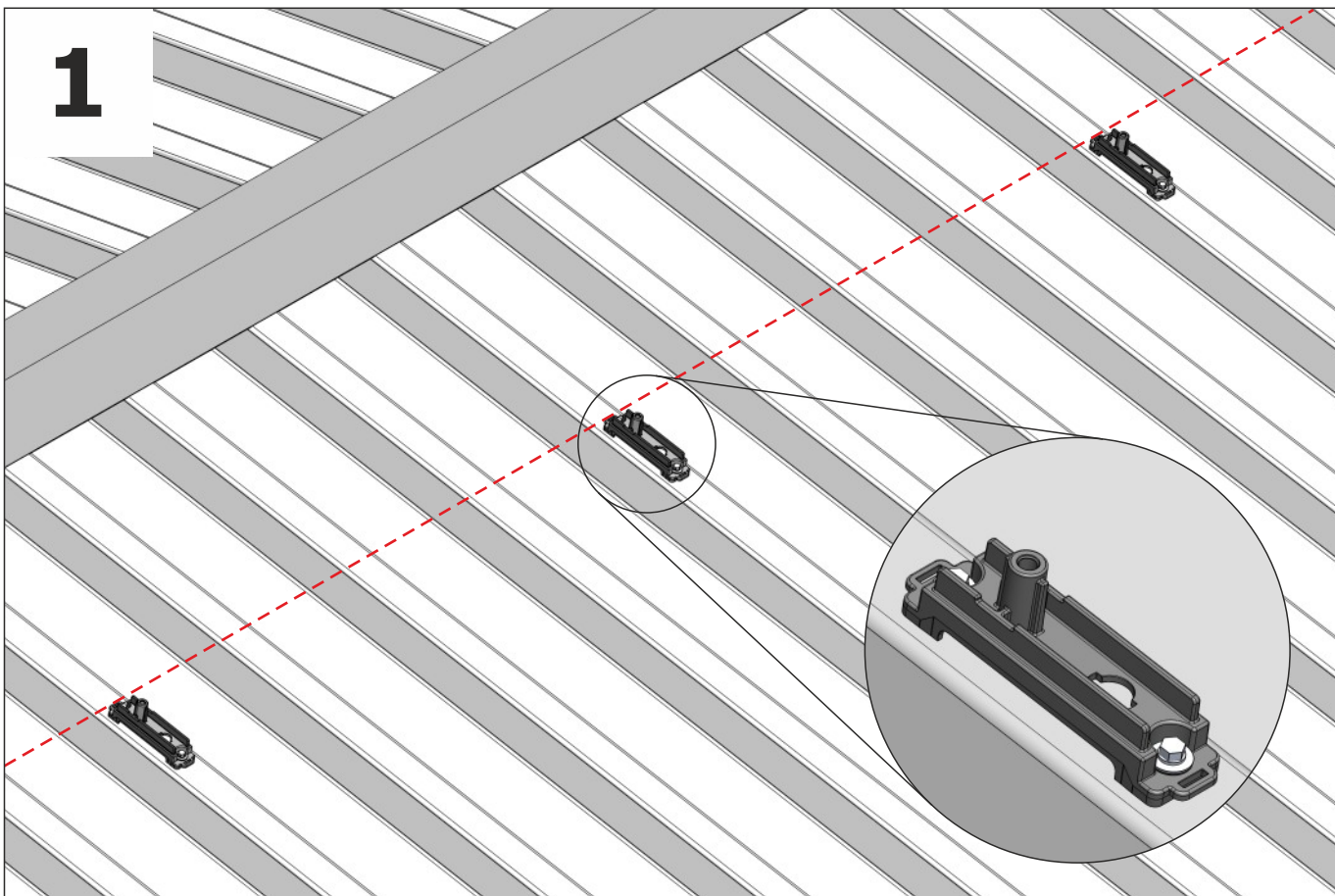
Disassembly and disposal: To disassemble the system, carry out the assembly steps in reverse order. Dispose of the components properly for recycling.

Panoramica articolo

Vite da lamiera per fissaggio al tetto

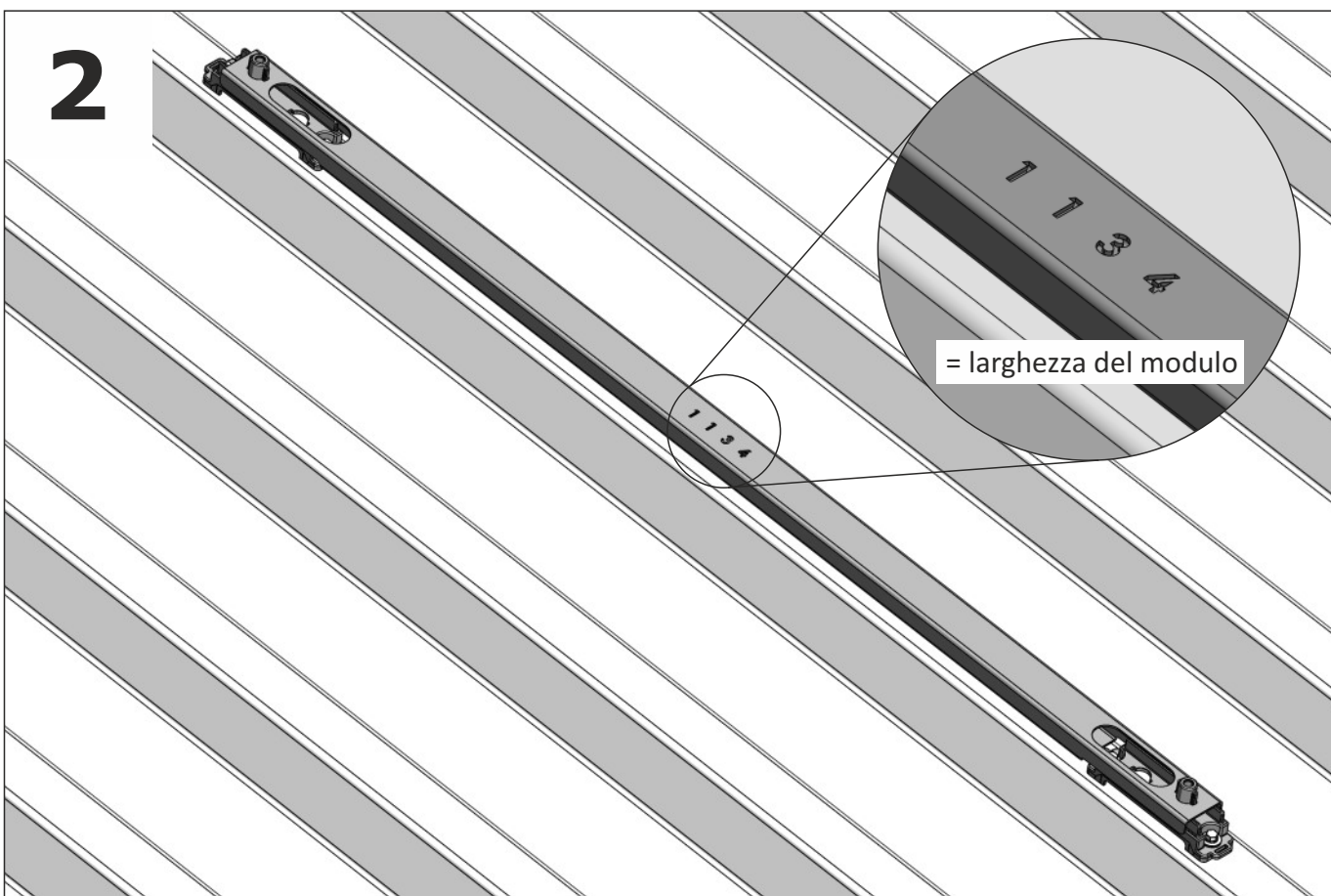
La vite da lamiera con rondella di tenuta viene scelta dall'installatore. La vite deve avere una lunghezza minima di 25 mm, essere inossidabile e disporre di una rondella di tenuta (\varnothing 16 mm). Si consiglia di utilizzare la vite autoforante EJOFAST JF3-2-5.5x25 o JF3-2-6.0x25 di EJOT oppure la vite da lamiera RP-T2 6.0x25 di Reisser.

	Codice articolo	Denominazione
	1.01	TrapFIX - Base Confezione 50 pz.
	1.02	TrapFIX - Morsetto universale Confezione 50 pz. Nero Per moduli di altezza 30-40 mm
	1.03	Supporto ottimizzatore (optionale) Confezione 100 pz.
	2.01-2.09	Dime di montaggio fisse Adattate alle larghezze dei moduli Confezione 1 pz.
	3.01	Tendifilo (optionale) Confezione 1 pz.



1

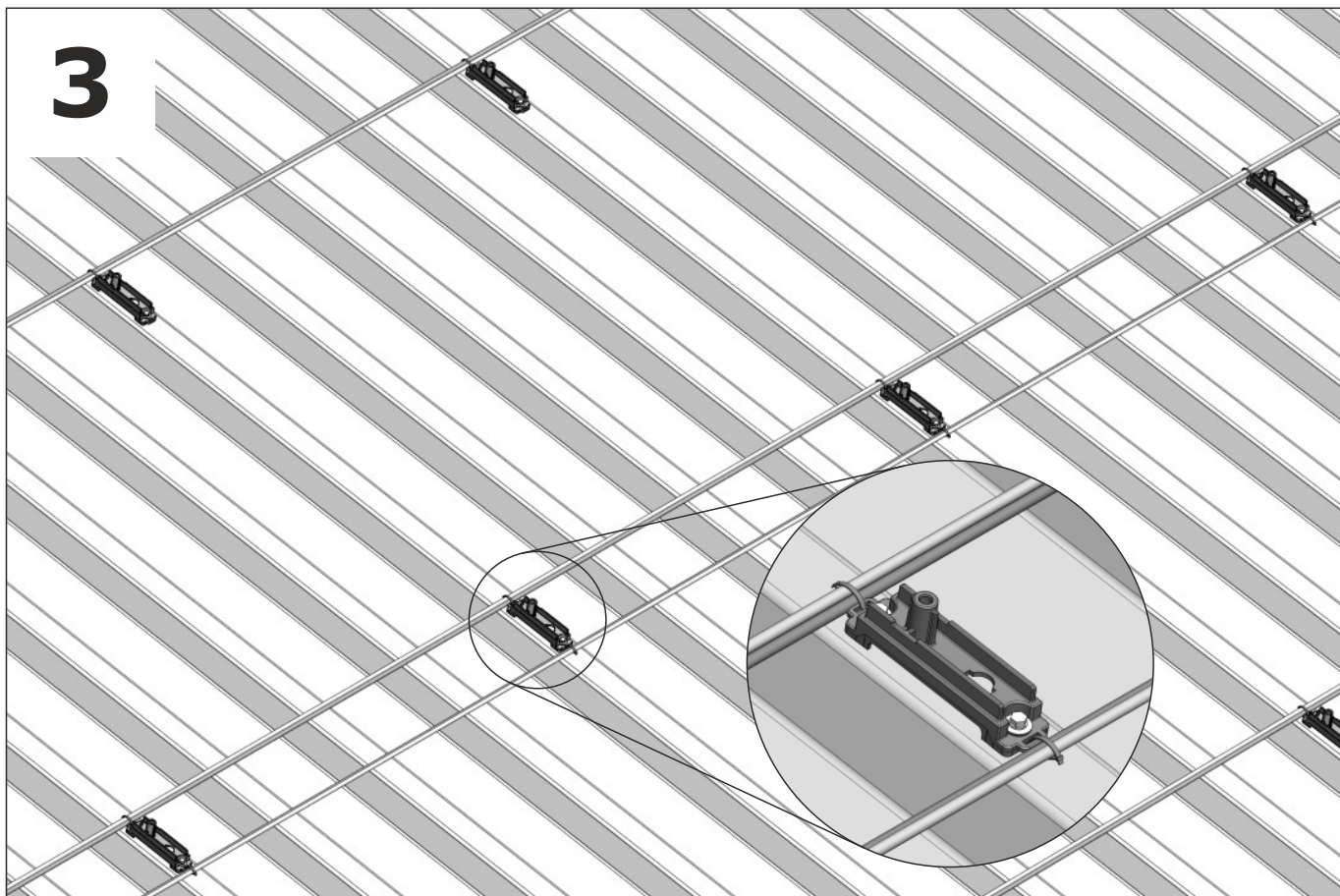
Installare i TrapFIX in una fila dritta sul bordo inferiore o superiore del tetto utilizzando viti da lamiera a propria discrezione. Il lato lungo di TrapFix dovrà rimanere sotto i moduli.



2

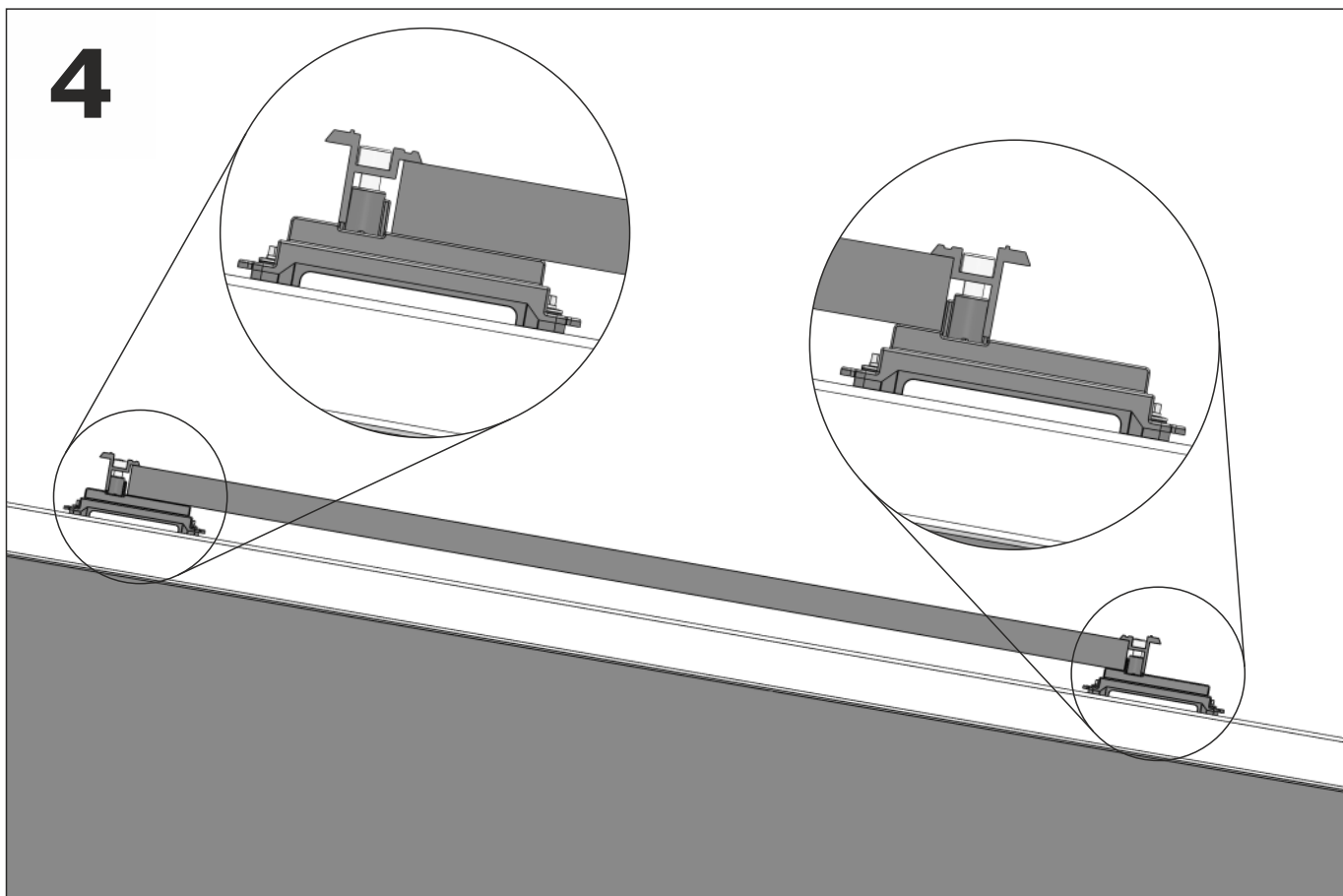
Montare i TrapFIX della fila successiva servendosi di una dima adatta alla larghezza del modulo. Il lato lungo di TrapFIX va orientato verso la gronda. Ripetere l'operazione al massimo 10 volte o fino alla fine dell'area da utilizzare. I TrapFIX possono essere montati servendosi solo di una dima.

3



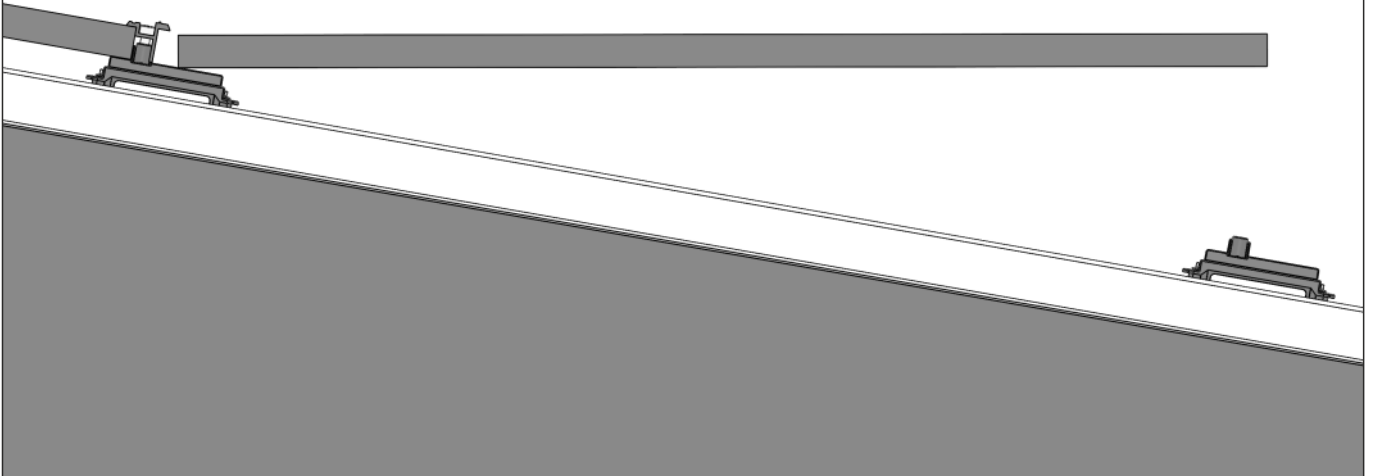
Posare il cablaggio della stringa e fissarlo servendosi degli appositi passanti per fascette sul TrapFIX.

4



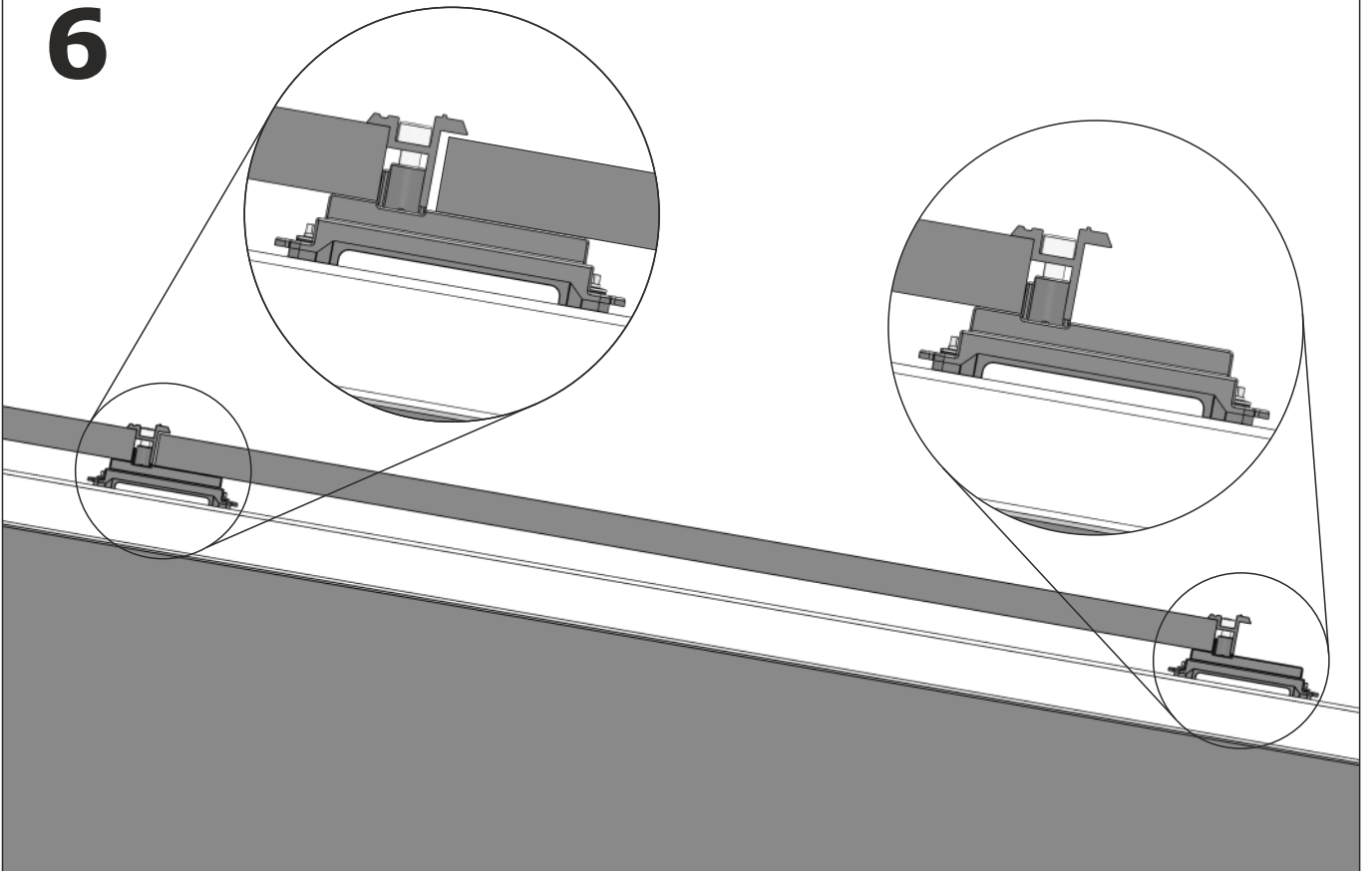
Raccomandiamo di posare i moduli dal colmo verso la gronda. Il modulo superiore viene inserito tra i due Trapfix superiori e bloccato sui due lati. La vite deve essere serrata a 16 Nm.

5



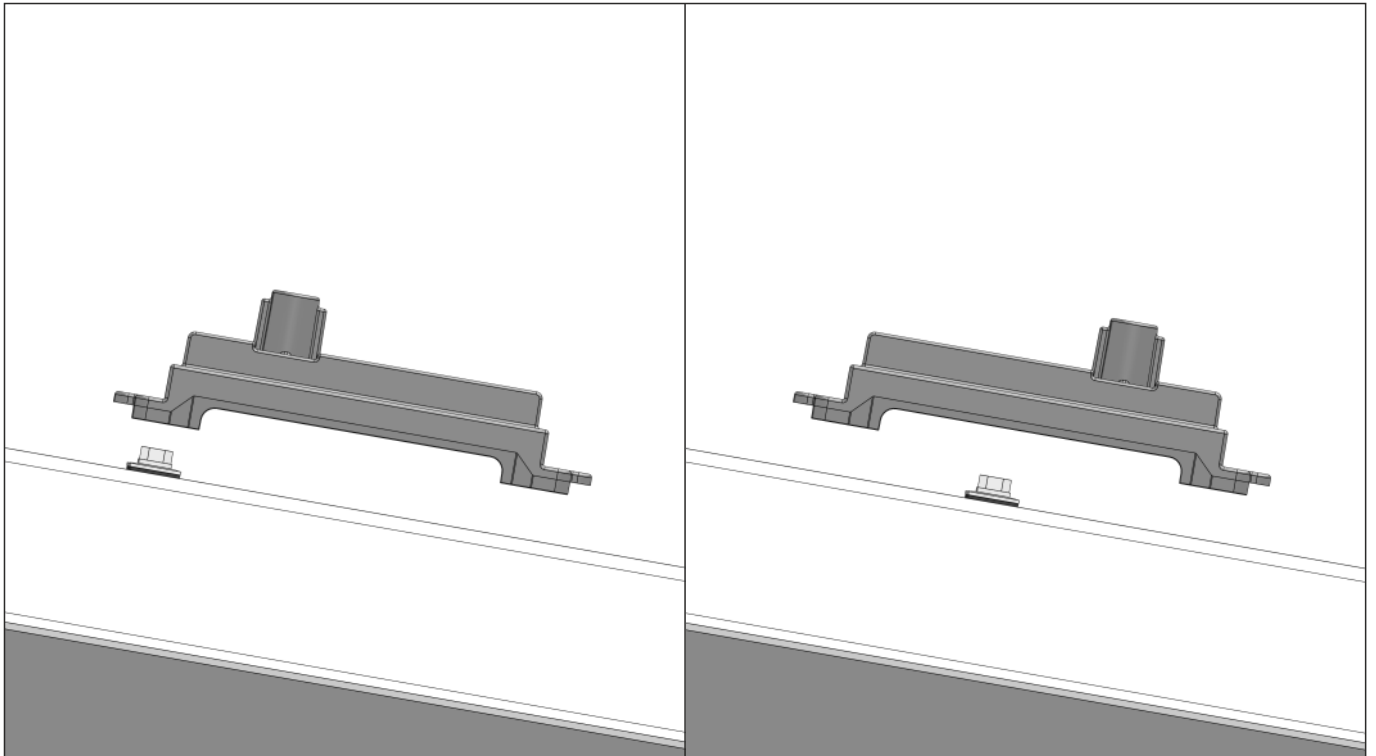
Far scivolare il modulo successivo sotto il morsetto a inserimento...

6



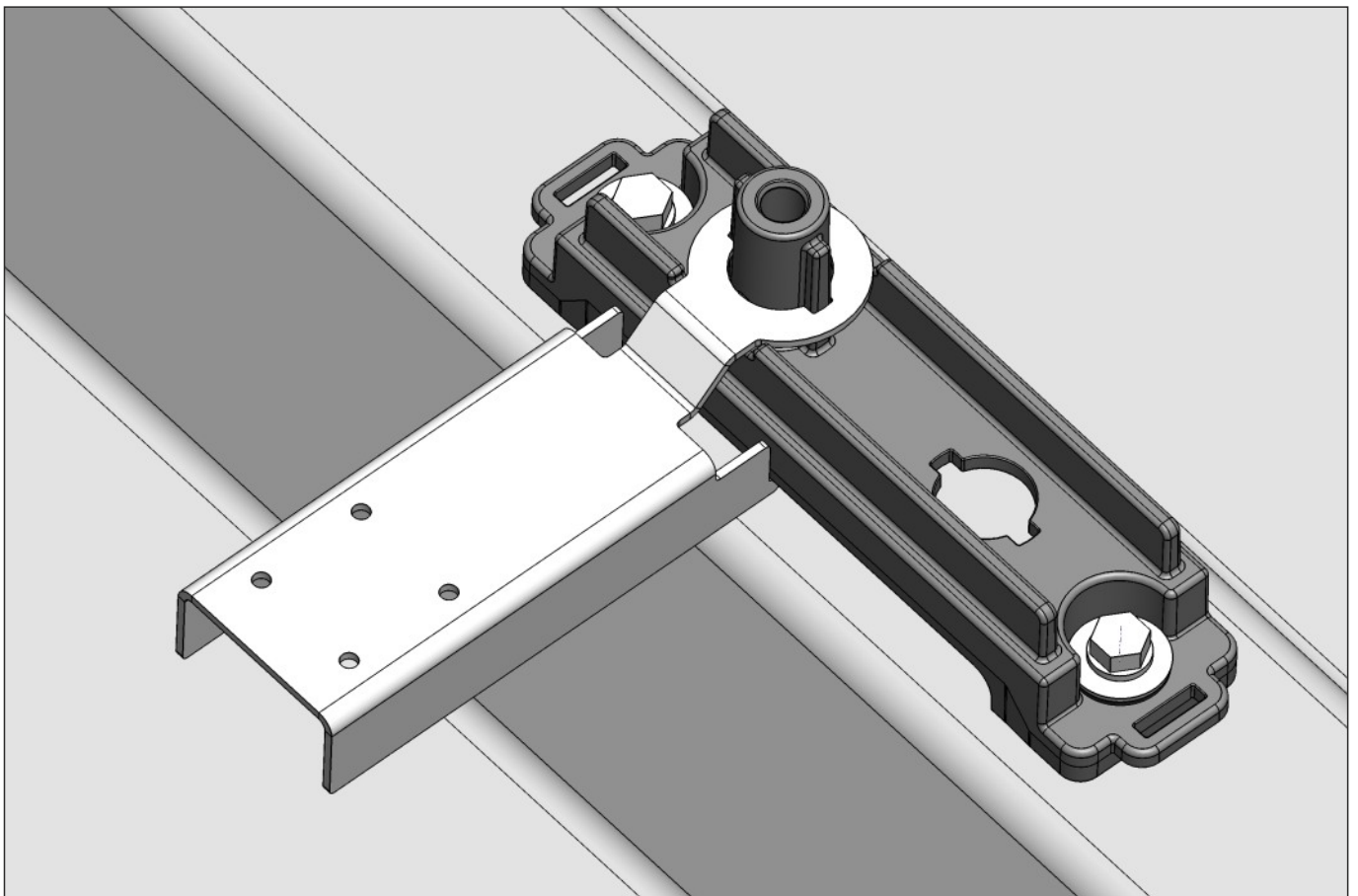
...e bloccare il bordo inferiore del modulo. Ripetere l'operazione fino alla fine dell'area da utilizzare.

Consigli, trucchi e supporti per il montaggio



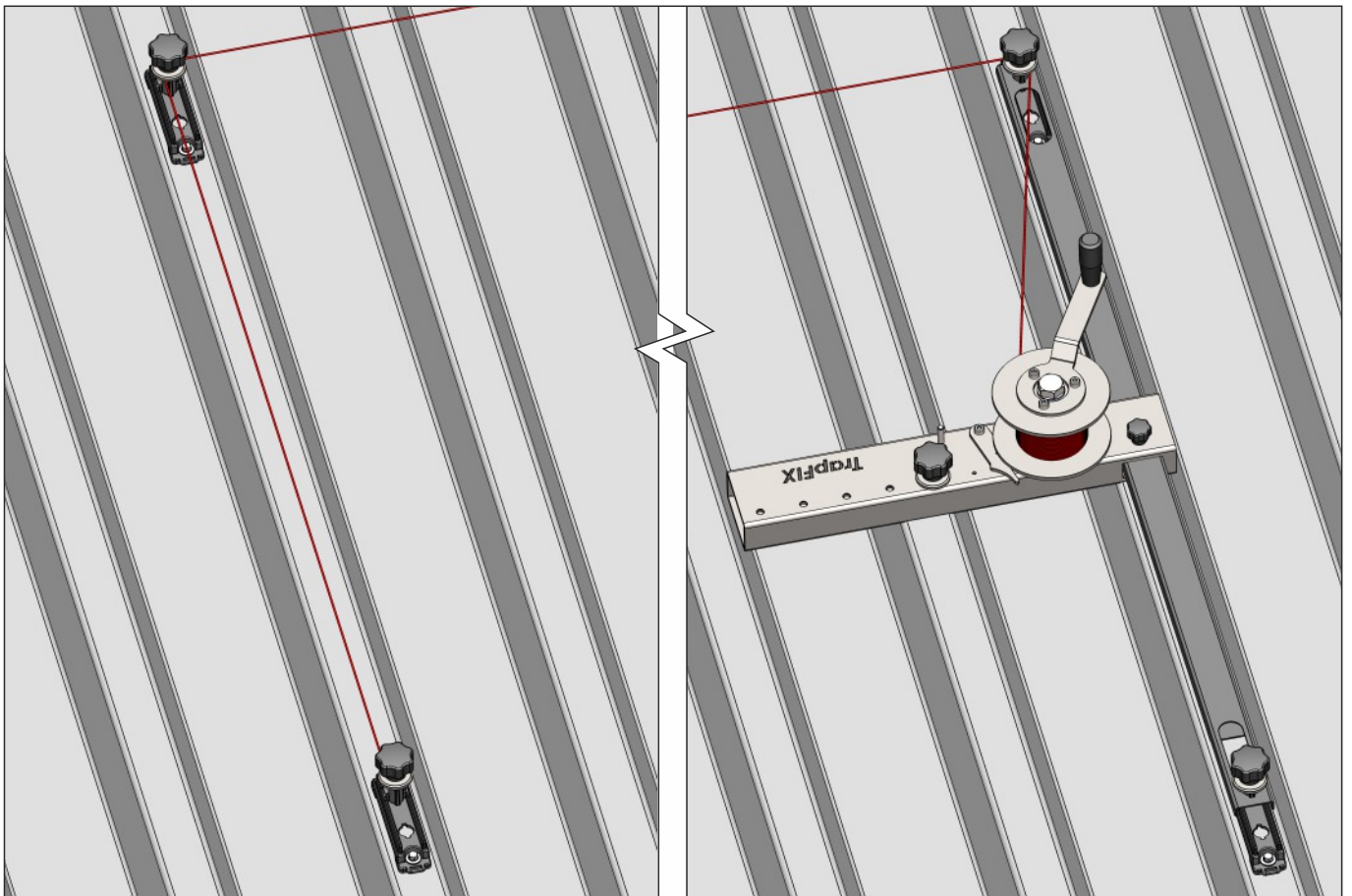
Viti di fissaggio

Nel caso in cui la base di un TrapFIX andasse a sovrapporsi a una vite di fissaggio del tetto, è possibile ruotare la base TrapFIX di 180°. Sarà necessario rimuovere eventuali calotte grandi sulla lamiera grecata.



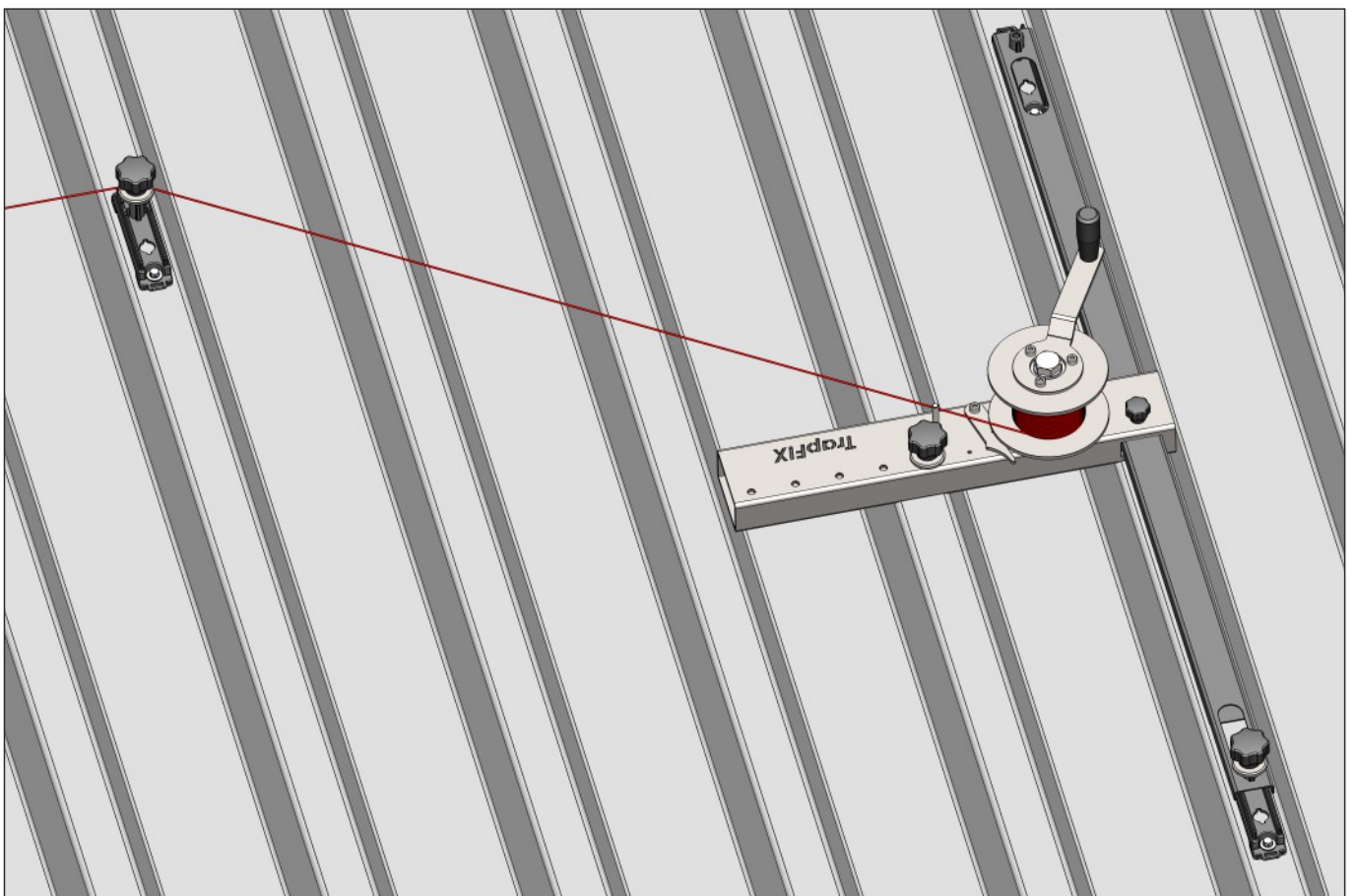
Supporto microinverter / ottimizzatori

Per un collegamento a regola d'arte di microinverter e ottimizzatori, è possibile ordinare uno dei nostri supporti aggiuntivi. Il supporto si può integrare a TrapFIX prima del montaggio del modulo.



Tendifilo

Per posare con precisione la prima fila di TrapFIX consigliamo l'uso del nostro tendifilo. A tale scopo, montare i TrapFIX più esterni, fissare il tendifilo alla dima e tendere il filo.



Successivamente, posare entrambi i lati del secondo TrapFIX con il filo come riferimento e mettere in tensione il filo come mostrato nella figura. Quindi tendere il filo e utilizzarlo come riferimento per la fila superiore di TrapFIX. **Attenzione** Non spostare il filo quando si posa TrapFIX.